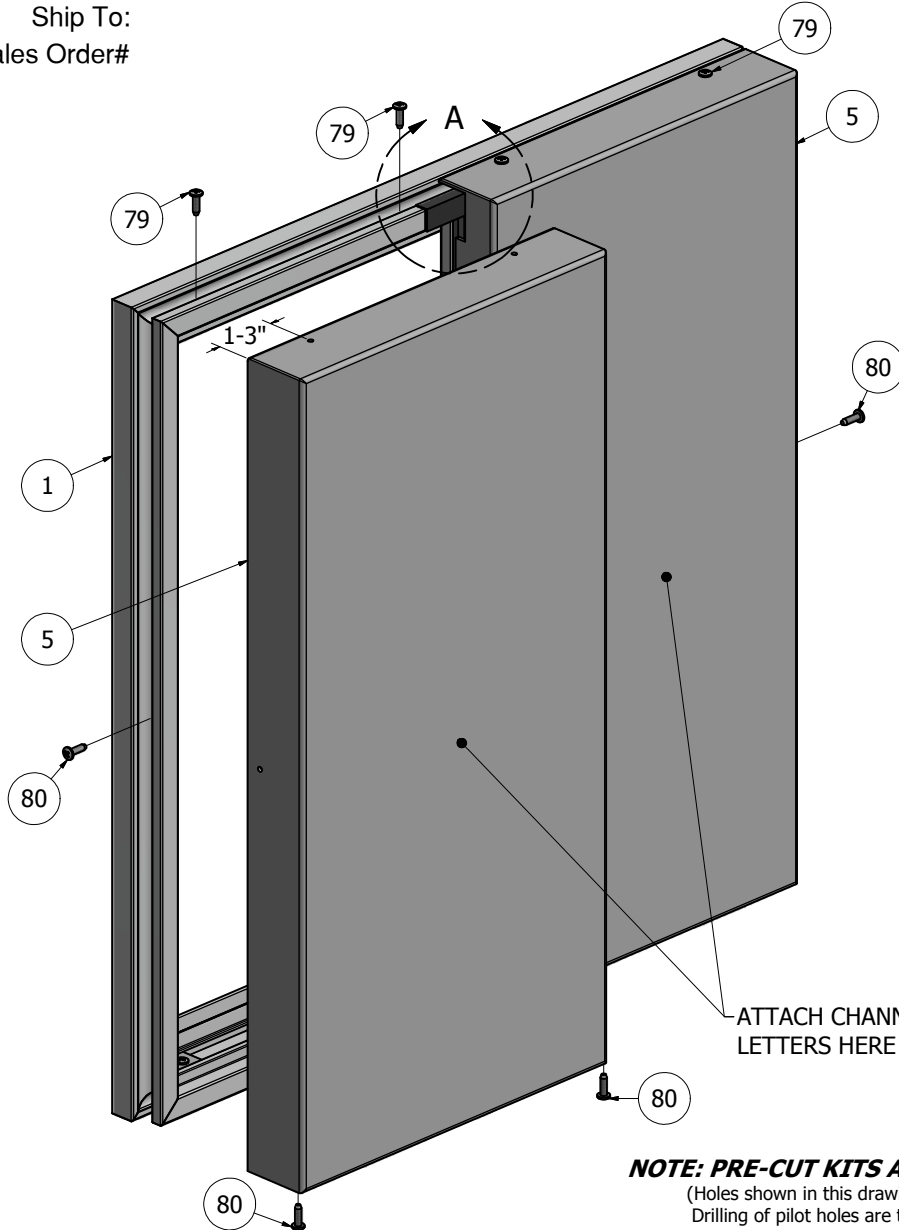
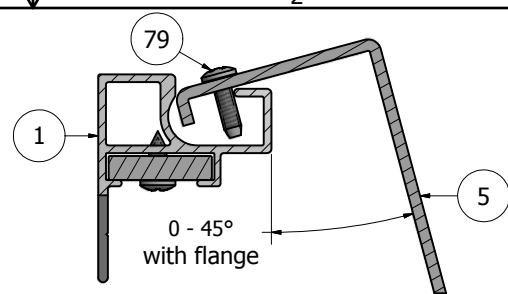


PARTS LIST			
ITEM	PART #	DESCRIPTION	NOTES
1	K2042	Flat Wall Mount Retro Frame	Assembly
2		L-Gasket	Not provided by SignComp
3	1978	U-Channel	Attached to Body where panels meet.
4		Gasket	Not provided by SignComp
5		Break Form Aluminum Panel	By Other
79	5175	Hinge Screw - #10 x 5/8"	One (1) every 36" o/c
80	5175	Closure Screw - #10 X 5/8"	One (1) every 48" o/c

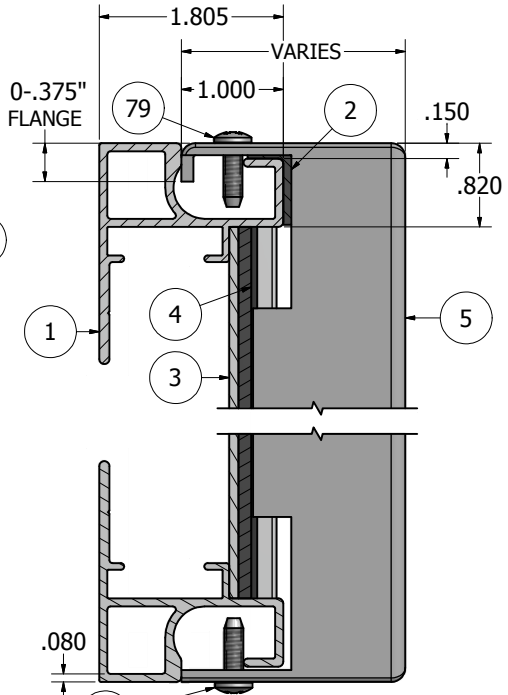
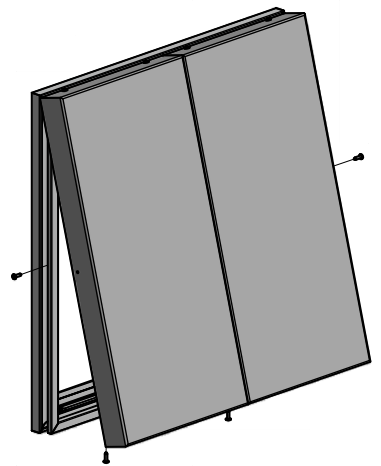
Ship To:
Sales Order#



NOTE: PRE-CUT KITS ARE NOT PRE-DRILLED.
(Holes shown in this drawing are for reference only.
Drilling of pilot holes are to be done by fabricator.)

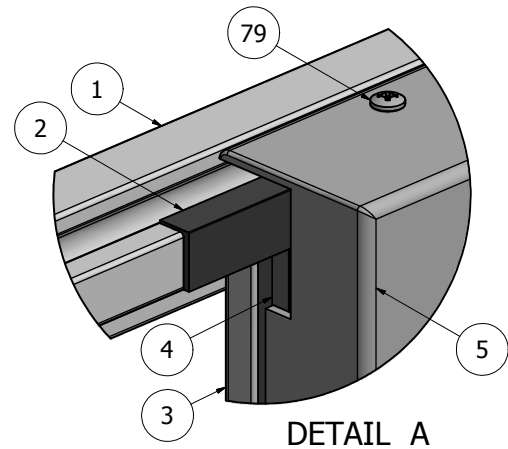


TOP CROSS-SECTION VIEW
HINGED



DETAIL A
CROSS-SECTION VIEW

NOTE: A FLANGE IS ONLY REQUIRED AT THE TOP OF THE BREAK FORM ALUMINUM FACE.



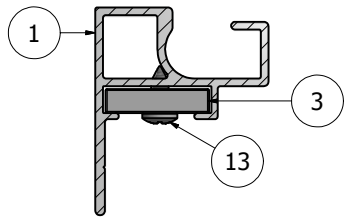
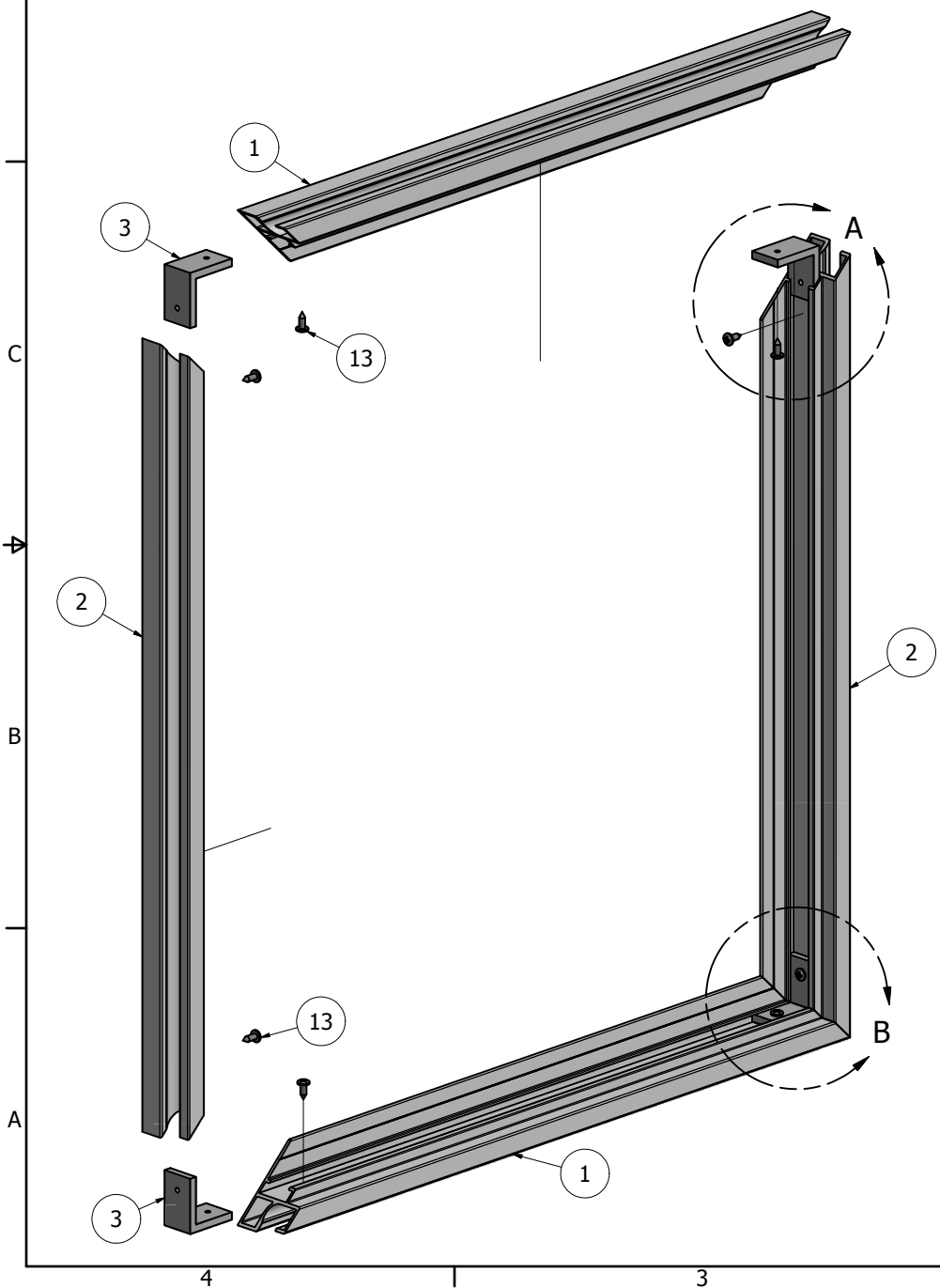
DETAIL A

THIS DRAWING WAS CREATED AT NO CHARGE TO ASSIST YOU IN VISUALIZING OUR PROPOSAL. THE DRAWING HEREIN IS THE PROPERTY OF SIGNCOMP. PERMISSION TO COPY OR REVISE THIS DRAWING OR TO USE THIS DRAWING FOR PRODUCTION IS STRICTLY PROHIBITED AND CAN ONLY BE COPIED, REVISED OR USED FOR PRODUCTION WITH THE EXPRESSED WRITTEN PERMISSION OF SIGNCOMP.

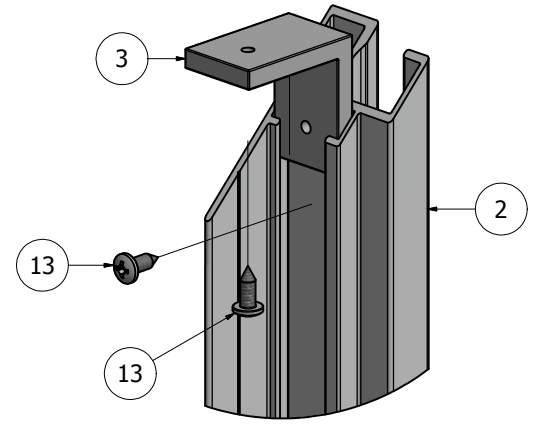
DRAWING BY:	SBreihof	8/19/2013
Centroid X:	0.000 in	
Centroid Y:	0.000 in	
Principal Moments Ix:	0.000 in^4	
Principal Moments Iy:	0.000 in^4	
Section Modulus Ix:	0.000 in^3	
Section Modulus Iy:	0.000 in^3	

SignComp		TITLE
		Flat Wall Mount Retro Body w/ Aluminum Break Form Panel - Assembly
PART NO	REV	
K2042-1978 with Panels		
SHEET 1 OF 1		

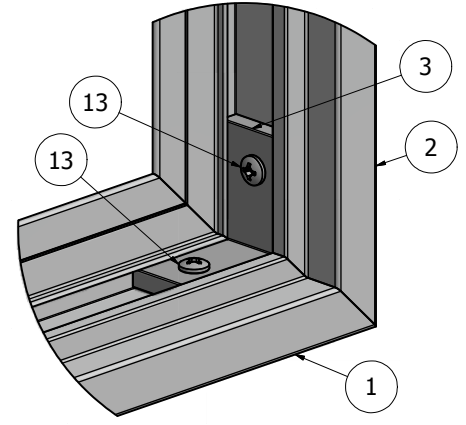
PARTS LIST			
ITEM	PART #	DESCRIPTION	NOTES
1	2042	Flat Wall Mount Retro Body	Top & Bottom
2	2042	Flat Wall Mount Retro Body	Sides
3	5305	Frame Corner Angle	One (1) per corner
13	5218	Corner Angle Screw	Pre-drill 5/32" pilot hole



CROSS-SECTION VIEW



DETAIL A

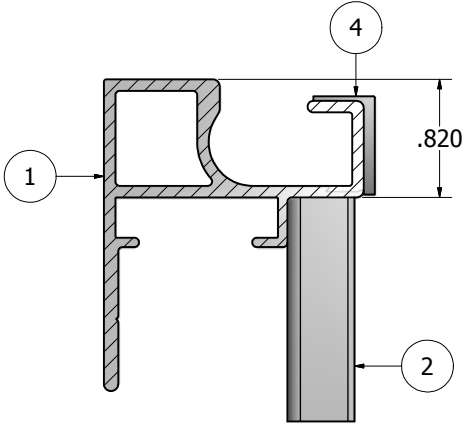
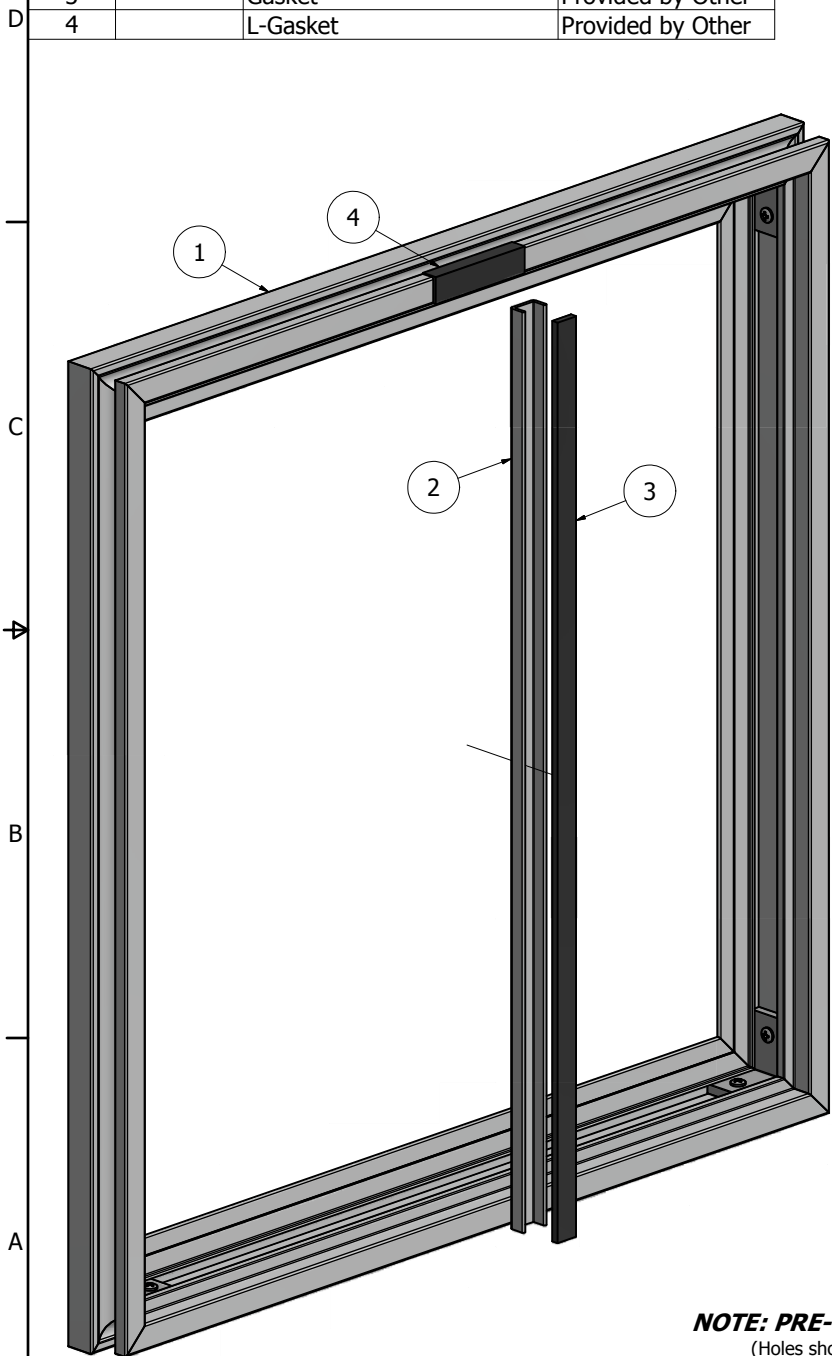


DETAIL B

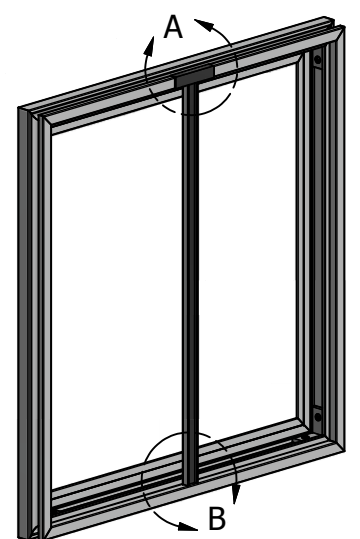
NOTE: PRE-CUT KITS ARE NOT PRE-DRILLED.
 (Holes shown in this drawing are for reference only.
 Drilling of pilot holes are to be done by fabricator.)

THIS DRAWING WAS CREATED AT NO CHARGE TO ASSIST YOU IN VISUALIZING OUR PROPOSAL. THE DRAWING HEREIN IS THE PROPERTY OF SIGNCOMP. PERMISSION TO COPY OR REVISE THIS DRAWING OR TO USE THIS DRAWING FOR PRODUCTION IS STRICTLY PROHIBITED AND CAN ONLY BE COPIED, REVISED OR USED FOR PRODUCTION WITH THE EXPRESSED WRITTEN PERMISSION OF SIGNCOMP.		
DRAWING BY:	SBreihof	8/15/2013
Centroid X:	0.000 in	TITLE
Centroid Y:	0.000 in	
Principal Moments Ix:	0.000 in ⁴	Flat Wall Mount Retro Body - Assembly
Principal Moments Iy:	0.000 in ⁴	
Section Modulus Ix:	0.000 in ³	PART NO
Section Modulus Iy:	0.000 in ³	K2042
		REV
		SHEET 1 OF 1

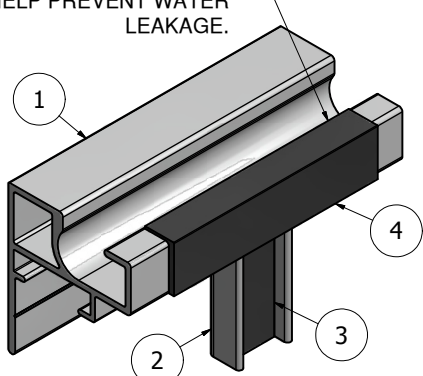
PARTS LIST			
ITEM	PART #	DESCRIPTION	NOTES
1	K2042	Flat Wall Mount Retro Body Assembly	
2	1978	U-Channel	
3		Gasket	Provided by Other
4		L-Gasket	Provided by Other



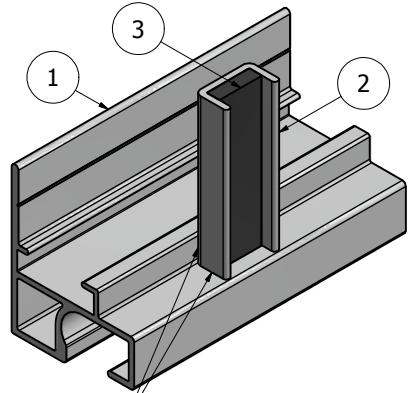
BODY & CHANNEL JOINT SECTION VIEW



NOTE: PLACE A PIECE OF GASKET ON THE BODY FLANGE AT THE JOINT WHERE THE PANELS WOULD MEET. THIS WILL HELP PREVENT WATER LEAKAGE.



DETAIL A



DETAIL B

WELD AT TOP AND BOTTOM WHERE THE U-CHANNEL MEETS THE BODY.

NOTE: PRE-CUT KITS ARE NOT PRE-DRILLED.
 (Holes shown in this drawing are for reference only. Drilling of pilot holes are to be done by fabricator.)

THIS DRAWING WAS CREATED AT NO CHARGE TO ASSIST YOU IN VISUALIZING OUR PROPOSAL. THE DRAWING HEREIN IS THE PROPERTY OF SIGNCOMP. PERMISSION TO COPY OR REVISE THIS DRAWING OR TO USE THIS DRAWING FOR PRODUCTION IS STRICTLY PROHIBITED AND CAN ONLY BE COPIED, REVISED OR USED FOR PRODUCTION WITH THE EXPRESSED WRITTEN PERMISSION OF SIGNCOMP.

DRAWING BY:	SBreihof	8/19/2013
Centroid X:	0.000 in	
Centroid Y:	0.000 in	
Principal Moments Ix:	0.000 in ⁴	
Principal Moments Iy:	0.000 in ⁴	
Section Modulus Ix:	0.000 in ³	
Section Modulus Iy:	0.000 in ³	

		TITLE
		Flat Wall Mount Retro Body w/ U-Channel - Assembly
PART NO	K2042-1978	REV
		SHEET 1 OF 1